

Dear Partners,

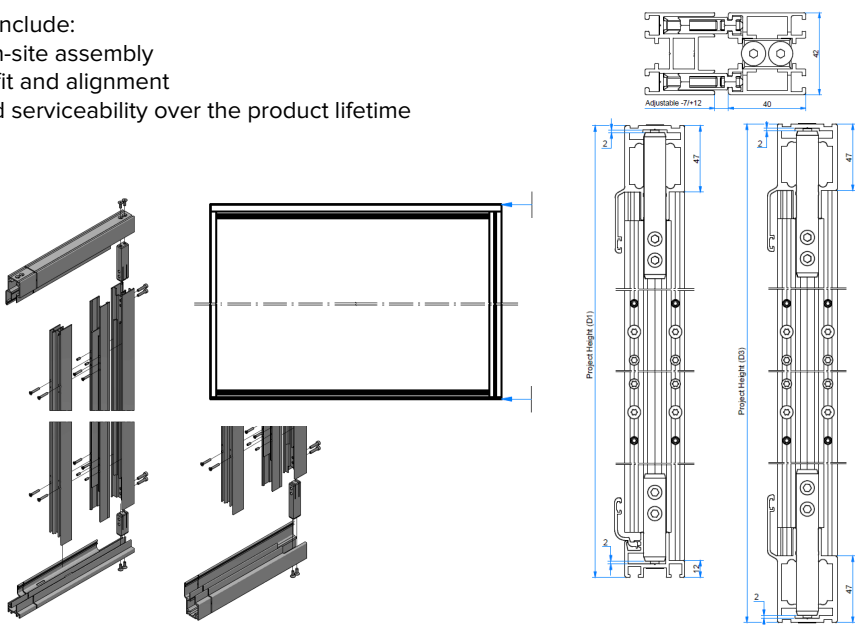
We are pleased to share the latest product information from Sunparadise. This update includes both system enhancements and hardware improvements, designed to give you more flexibility in specifications and greater reliability in use.

FI42 Folding Wall – One-Side Compensation Profile

The FI42 frame has been upgraded to a fully screw-mounted construction. The design now incorporates a one-sided compensation profile, improving installation comfort and reducing time on site. This new configuration is immediately part of the standard execution.

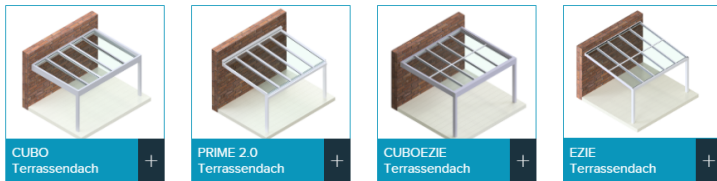
Key benefits include:

- Faster on-site assembly
- Cleaner fit and alignment
- Improved serviceability over the product lifetime



AP17 – Available on SP Connect as an element

Beginning 01.12.2025, AP17 will be available in SP Connect to order as element. This allows AP17 to be selected directly within the roof configuration page.



AP17 / SP17 – Wood-Effect Colours

The SP17 and AP17 systems are now available in wood-effect colours, bringing a natural, warm look to the design.

This finish is offered on the SP17 **blinds** and AP17 **planks** only. This option provides a visually softer option while maintaining the system's familiar performance and low-maintenance advantages.



New Removable Handle for FI42, TH60, ST80, TS80

Reason for change: The previous Siegenia handle is no longer available in anodised finish.

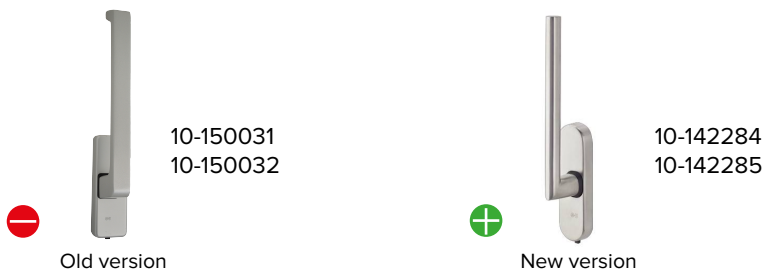
The new handle ensures continued availability in matching finishes, improved ergonomics, and consistent long-term supply.



New Stainless-Steel Handle Set for TH60 & ST80 PSK

Reason for change: Quality issues with previous arm components (scratches, impact marks)

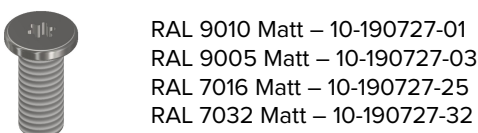
The new sets offer higher durability, cleaner surface quality, and a premium appearance aligned with the PSK system's performance expectations.



Ezie & Cubo-ezie coloured screws options available

Customers increasingly requested system-coloured screws instead of the previous raw stainless-steel version.

All screws are supplied in M6x14 Flat Thin Head TX20 A2, available in four standard matt RAL colours:



This upgrade is optional and provides a more harmonious look, especially on visible screw points such as end-covers.

i For more details and technical documents, please visit Sunparadise Connect or contact your representative.