

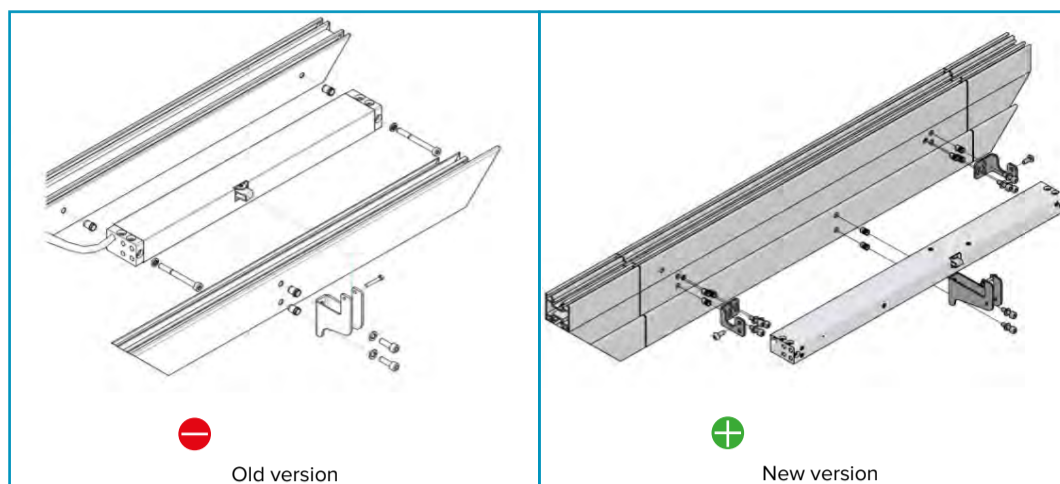
Dear Partners,

We are pleased to share the latest product information from Sunparadise. This update includes both system enhancements and hardware improvements, designed to give you more flexibility in specifications and greater reliability in use.

Pivot-Mounted Motor Fixing - New Standard

The previous motor solution with a fixed connection has been replaced by a pivot-mounted motor fixing. The new 230V window motor is equipped with movable mounting ears, allowing easier installation and removal while preventing tension during operation.

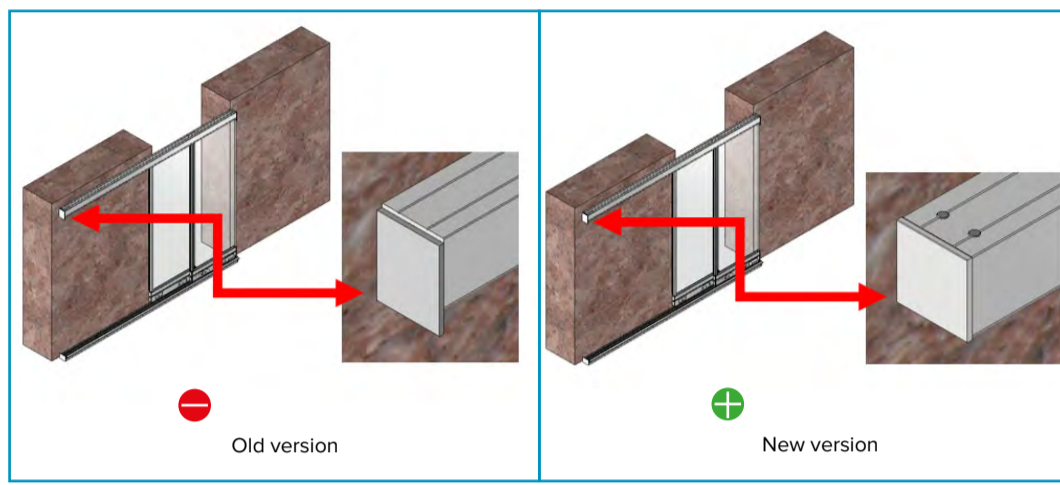
This update applies to Fiesta 42, Thermo 60 and ST80 and is now part of the standard execution for these systems.



Flush End Cap VG / GSW - New Execution

In rail extension configurations, a visible gap could occur between the rail cover and the rail. To address this, new profiles and accessories have been introduced to ensure a flush end cap solution that cleanly covers the rail face after installation.

This update applies to VG15 and GSW17 systems and is now released as standard for future projects.



Reduction of Ventilation Profile Thickness – 20 mm / 24 mm Standard

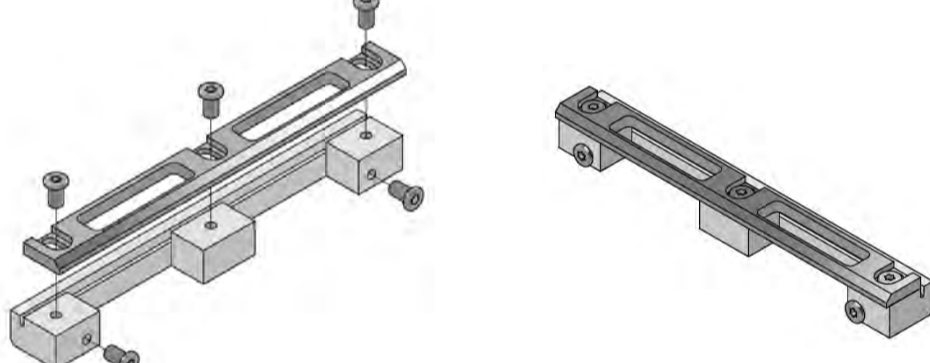
To reduce complexity caused by multiple glazing options, the ventilation profile range has been standardised. Only 20 mm and 24 mm ventilation profiles are now available. The 28 mm ventilation option has been discontinued, as this glass thickness is no longer used.

This change applies to Fiesta 42, Thermo 60 and Ideal 38 and is released for future projects.



Improved Strike Plate Fixing – Supertherm 80

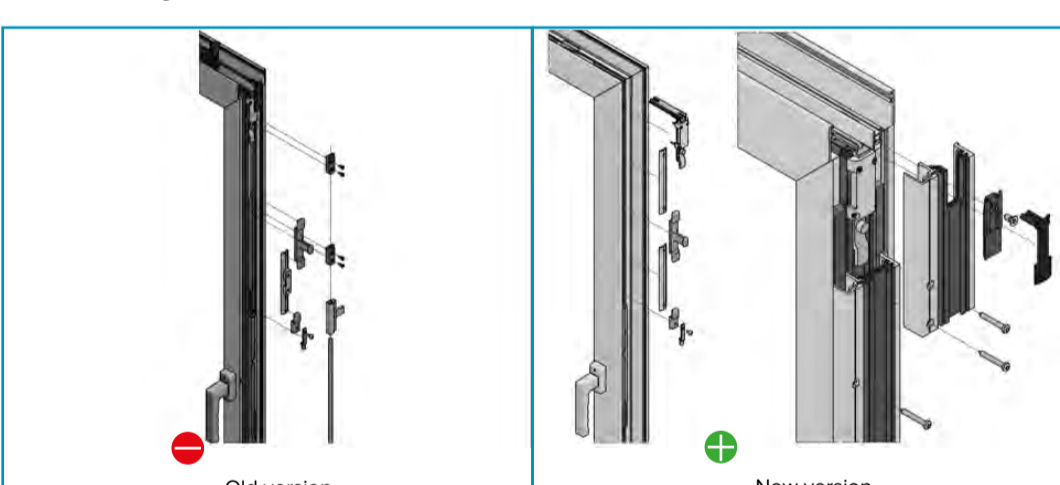
In the previous configuration, the Triblock strike plate was fixed to the insulation bar using a long screw, which could cause flexing and prevent proper door closing. The strike plate design has been revised, introducing a more rigid and stable fixing method that ensures reliable closing performance.



Improved Sealing and Refined Middle Joint Design – TS80

The middle joint design has been revised to provide improved sealing performance and a cleaner visual appearance. This update applies only to the second opening sash in TS80 systems.

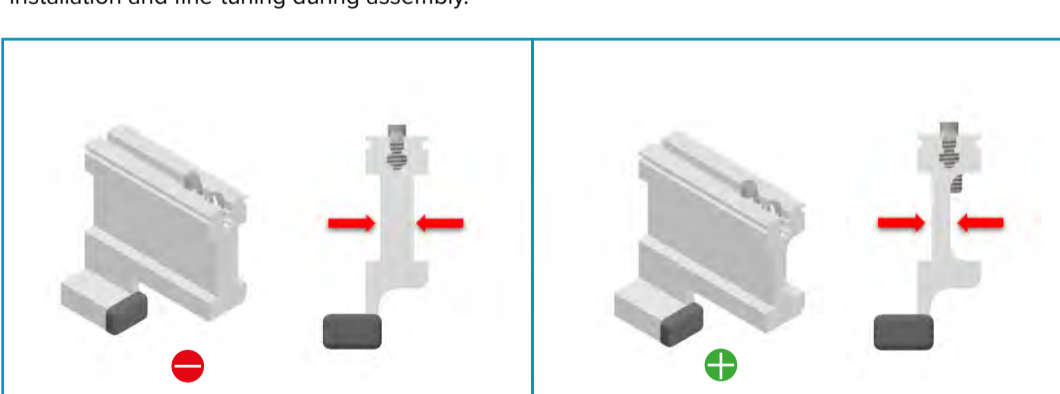
For installation and removal, the upper section of the joint profile can be removed if required, allowing easier handling during assembly. The rod locking mechanism has been eliminated in this new execution.



Optimised Stopper Design – WD450 LUX

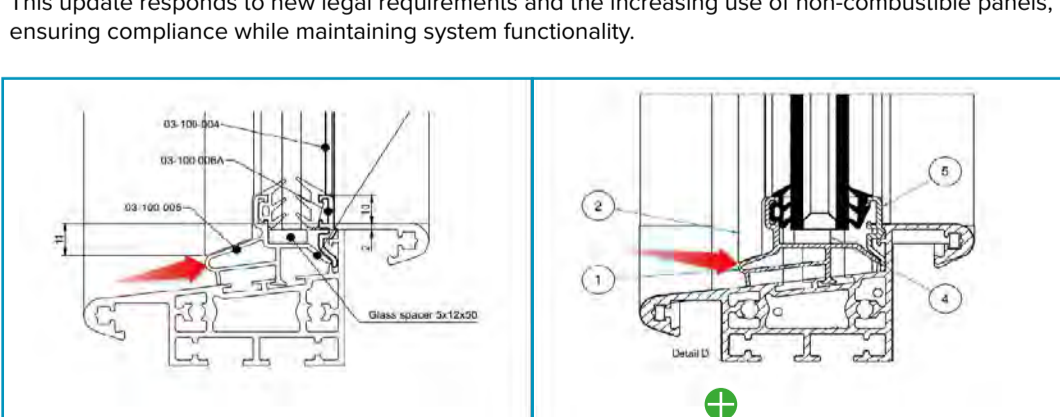
In our balcony glazing system WD450 LUX, the stopper design has been revised to improve accessibility to the adjustable wheel.

With the new execution, the wheel adjustment process is easier and more efficient, simplifying installation and fine-tuning during assembly.



Additional Glazing Profile for 19–24 mm Glass – WD100

An additional glazing profile has been introduced for our glass balcony system WD100 to accommodate glass thicknesses from 19 to 24 mm. This update responds to new legal requirements and the increasing use of non-combustible panels, ensuring compliance while maintaining system functionality.



For more details and technical documents, please visit Sunparadise Connect or contact your representative.