

Dear Partners,

We are pleased to share the latest product information from Sunparadise. This update includes both system enhancements and hardware improvements, designed to give you more flexibility in specifications and greater reliability in use.

## Market Situation

Global materials and supply chains continue to be influenced by ongoing geopolitical developments. We are closely monitoring the situation and remain committed to ensuring stable supply and reliable project planning for our partners.

In light of these developments, we are currently reviewing our cost structures, which may require potential price adjustments.

We recommend planning upcoming projects at an early stage wherever possible. Early project planning helps ensure smooth processing and stable conditions for all parties involved. Should any relevant changes occur, we will inform you accordingly.

## Order Forms

Please ensure that only the **current order forms available in Connect** are used. Older versions should no longer be used in order to avoid errors or delays in order processing.

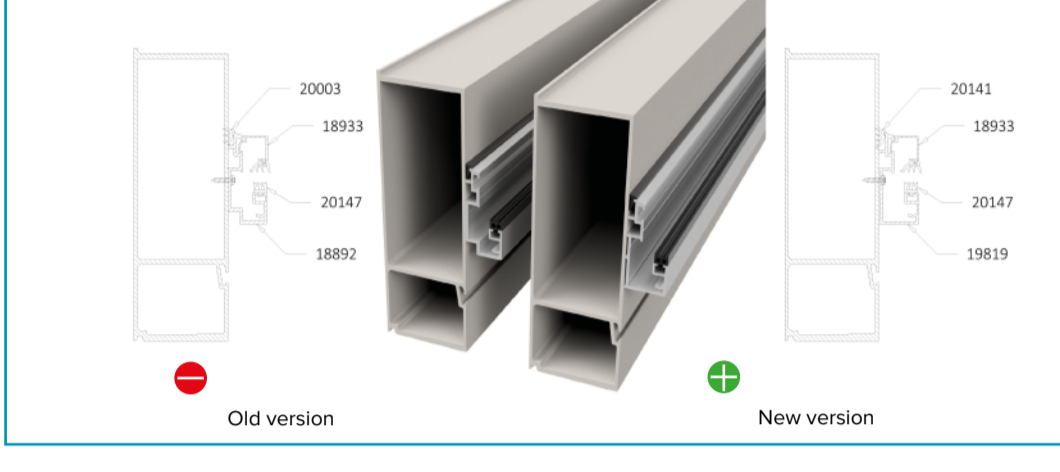


## CUBO 2.1 Profile Update

The design of profile no. 18892 has been revised and replaced by a new profile, no. 19819 to improve manufacturing quality and installation efficiency.

The updated design makes it easier to remove drilling burrs during production, resulting in cleaner processing and a more consistent finish.

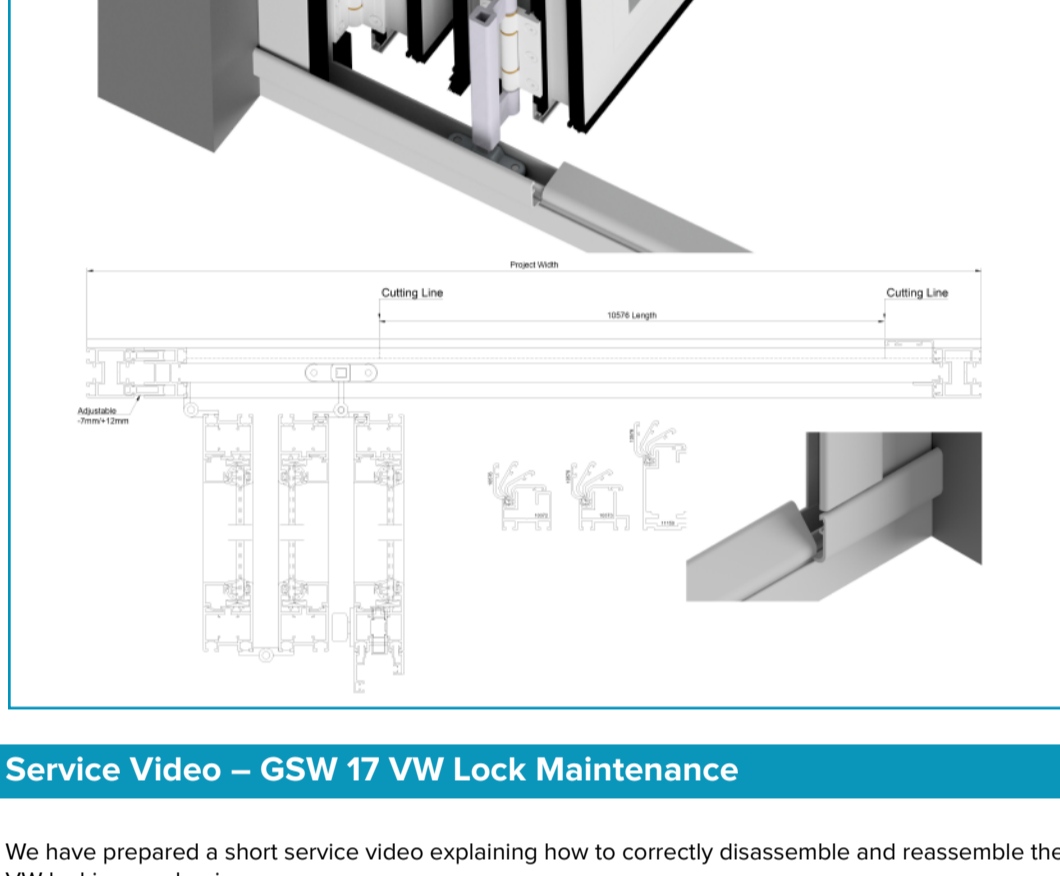
In addition, the revised sealing solution simplifies installation and reduces visible gasket protrusion. This ensures a neater appearance and a more precise overall result.



## Pre-Cut Bottom Rail Profile – Fiesta 42

To further simplify installation, the bottom rail profile (no. 10-110576) for the F42 system will now be delivered pre-cut to the specified dimensions.

Previously, the profile was supplied in project length and had to be cut by the customer. Going forward, the profile will be factory-cut according to the defined drawing dimensions and delivered ready for installation. This eliminates additional on-site cutting, ensures time savings, reduces measurement risk and supports consistently higher installation quality.



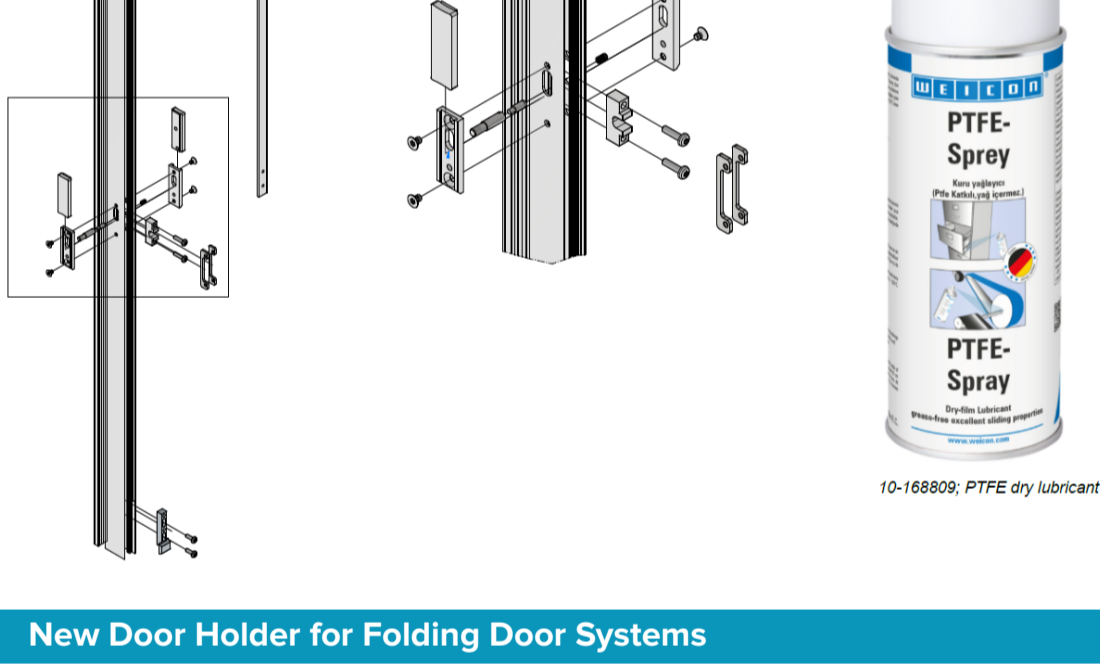
## Service Video – GSW 17 VW Lock Maintenance

We have prepared a short service video explaining how to correctly disassemble and reassemble the VW locking mechanism.

In some cases, the VW lock may not operate smoothly or may feel jammed. In these situations, the mechanism can be opened, cleaned and treated with a PTFE dry lubricant spray on the inner surfaces of the lock. After lubrication, the unit can be reassembled and will function smoothly again.

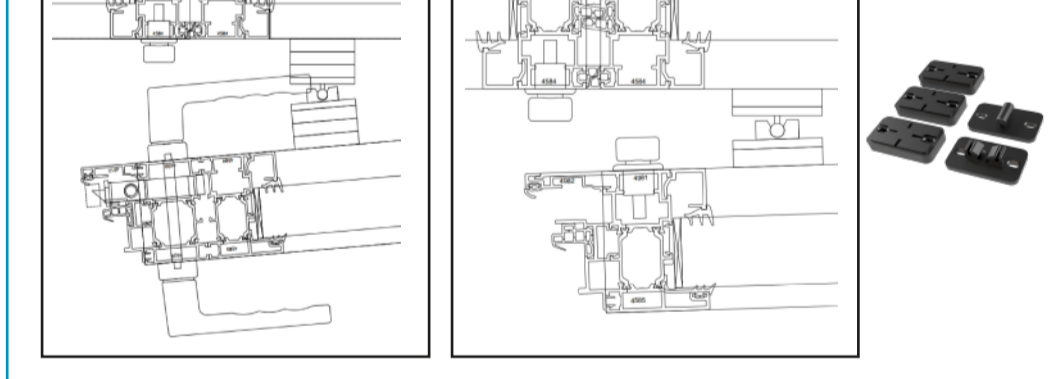
You can watch the step-by-step tutorial video here:

[\[VW Lock Tutorial Spray\]](#)



## New Door Holder for Folding Door Systems

A new door holder has been introduced for our folding door systems to ensure a reliable door fixation when the door is in the open position. Two different versions are available depending on the lock configuration. One version is designed for systems with a Triblock lock and door handle, while the second version is intended for systems equipped with a flat handle.

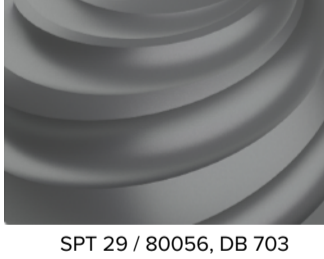


## ISO 41 System Remains in the Portfolio

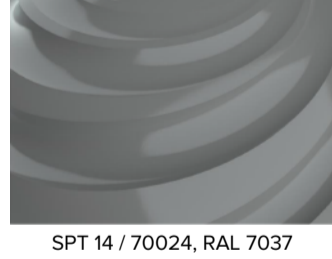
The proven ISO 41 system remains part of our product portfolio and continues to be fully available for projects and applications in the year 2026. With its reliable system technology and established performance, ISO 41 remains a dependable solution for a wide range of project requirements.

## New Standard Trend Colours

To expand our colour portfolio, two new trend colours have been added to our standard range. The new colours are now available as additional standard options, offering further design possibilities for modern architectural concepts.



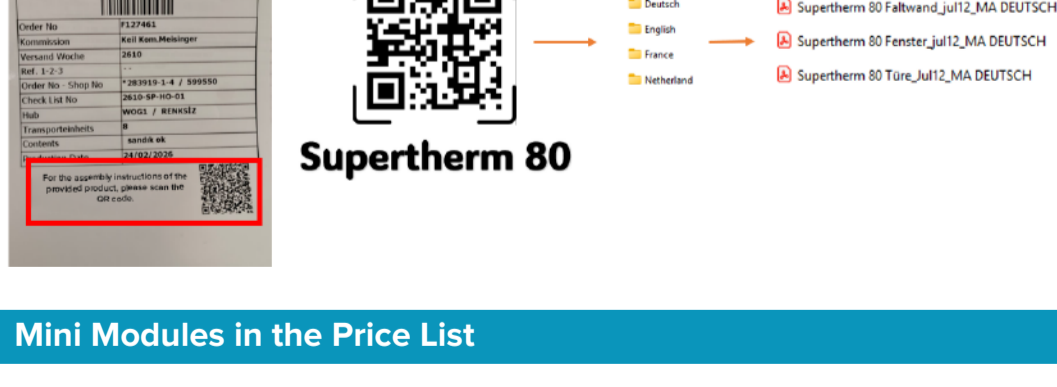
SPT 29 / 80056, DB 703  
Metallic, Matte



SPT 14 / 70024, RAL 7037  
Smooth, Semi-gloss

## QR Codes on Packaging – Digital Installation Instructions

From 16 March 2026, all products will be equipped with a QR code on the packaging. By scanning the code, installers and professional partners will gain direct access to the latest digital installation instructions for the respective product. This ensures faster access to information and always provides the most up-to-date documentation.



## Mini Modules in the Price List

Additional mini modules have been included in the current price list, providing further configuration and planning options.

STANDARD SAMPLES		
Standard colours: SPT 29/70105, Sparkling Iron Effect dark, Metallic Smooth / Matte		
Roofs	Description	Order no.
PRIME 11300 - Mini modul	Size: 165x227x400mm	NK-AMW11
PRIME 11203 + Profile 276 (pair abess) - Mini modul	Size: 165x380x500mm	NK-AMW12
CLISO Solbale outgorterie - Mini modul	Size: 150x265x295mm	NK-AMWCU1
CLISO Raccord murale pour évents + Canal pour Câbles - Mini modul	Size: 150x255x280mm	NK-AMWCU2
Elements	Description	Order no.
SP 17 - Mini modul	one panel - 400x600mm	NK-AMWSP17
GS317 - Mini modul (standard)	Splicing wall, 2 parts - 882x480mm	NK-AMWGS17
GS317 - Mini modul (a-trièdre du soi typ 2)	Splicing wall, 2 parts - 882x480mm	NK-AMWGS17
GSW 17 - Mini modul	3 track, 3 elements - 882x480mm	NK-AMWGS17
GSW 17 - Mini modul module d'angle	4 track, 3 elements - 350x290mm	NK-AMWGS17E
VG 15 - Mini modul	3 track, 3 elements - 800x470mm	NK-AMWV15
full glazing fitting VG 15/GSW 17/GSS 17 - Mini module	Glass element - 510x540mm	NK-AMWVG15
Fiesta 42 - Mini modul	Folding wall, 3 parts - 1100x600mm	NK-AMWF42
label 38 - Mini modul	2 track, 2 elements - 900x600mm	NK-AMWL38
label 41 - Mini modul	2 track, 2 elements - 900x600mm	NK-AMWL41

\* NSP = net sales price

For more details and technical documents, please visit Sunparadise Connect or contact your representative.